



Shaft Mounted Speed Reducer Motorised Units

Motor Mounts

A motor mount is available which is designed to fit directly onto either the long edge or the short edge of the Shaft Mounted Speed Reducer. The drive unit can then be located in any position around the shaft to permit easy belt tensioning. The Fenner Motor Mounting Assembly provides a rigid base plate which is designed to accommodate a wide range of motor frame sizes. Each size of motor mount has sufficient adjustment available to ensure that a standard belt can be fitted and re-tensioned as required throughout its working life.

Each base plate is supplied with the adjusting screw holes pre-drilled. A drilling template is provided to indicate the size and position of the holes required to suit the motor selected.

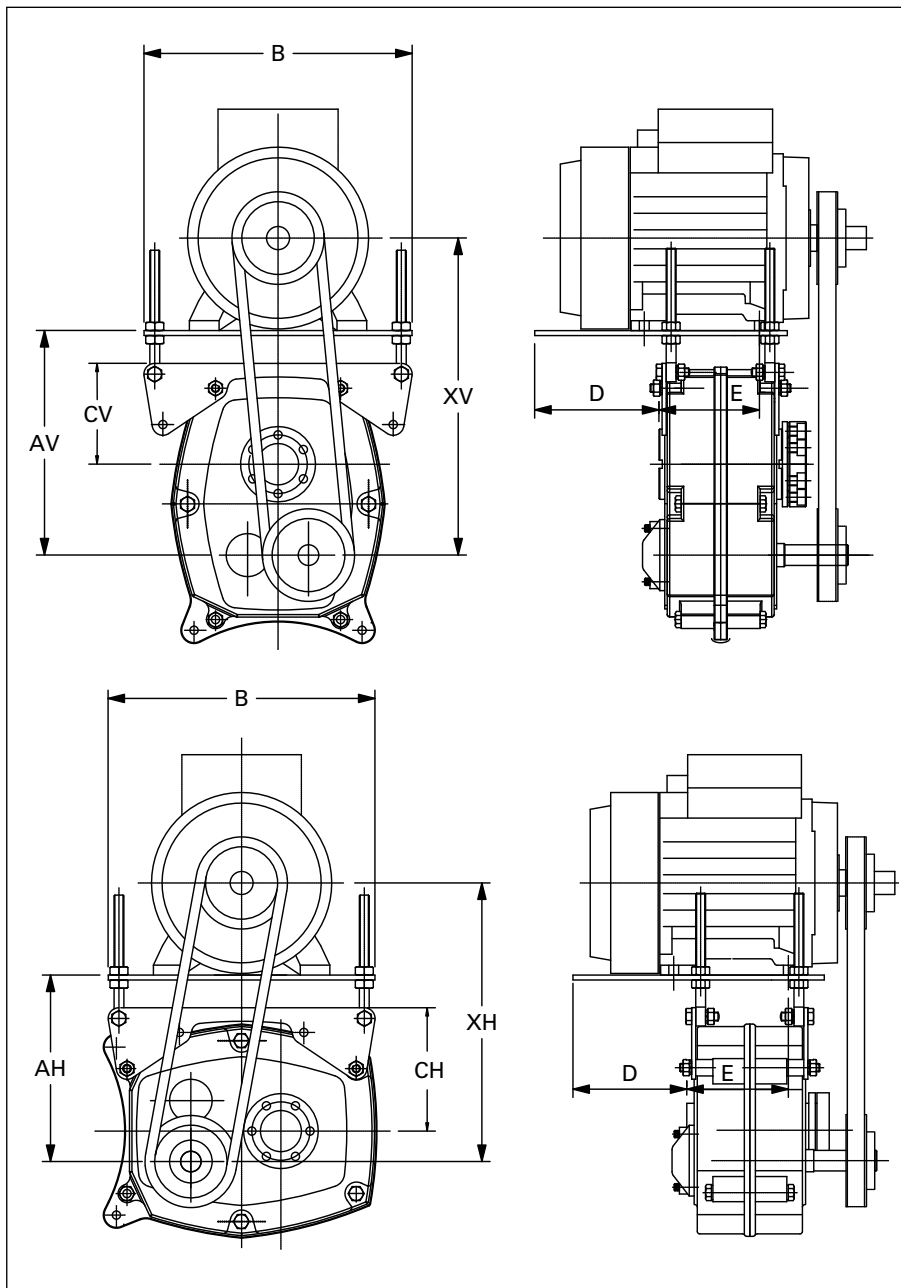
The template includes fitting/assembly instructions required for the correct mounting of the base plate together with suggested 'trim guides' to reduce the base plate size when using smaller frame motors.

To determine the optimum belt length when using a motor mount, first calculate the centre distance as follows:

$$XV/XH \text{ min} = \text{Motor Frame Size} + 'AV/AH \text{ min}'$$

$$XV/XH \text{ max} = \text{Motor Frame Size} + 'AV/AH \text{ max}'$$

A belt length should be selected from pages 40 - 51 which gives a centre distance equal to or slightly larger than the 'XV/XH min' and smaller than the 'XV/XH max' values determined above.



Unit Size	AV		AH		B	CV	CH	D	Dimension E for each motor frame size													
	Min.	Max.	Min.	Max.					63	71	80	90	100	112	132	160	180	200	225	225-2		
C	237	413	198	375	289	87	98	48	128.0	123.0	108.0	92.0	-	-	-	-	-	-	-	-	-	-
D	264	440	225	402	325	102	122	68	144.5	139.5	124.5	108.5	91.5	-	-	-	-	-	-	-	-	-
E	302	479	259	433	325	122	149	63	-	153.0	138.0	122.0	105.0	98.0	-	-	-	-	-	-	-	-
F	348	518	286	454	375	144	164	43	-	-	165.5	149.5	132.5	125.5	-	-	-	-	-	-	-	-
G	367	537	305	475	418	149	179	88	-	-	191.0	174.0	158.0	151.0	112.0	-	-	-	-	-	-	-
H	403	621	333	548	479	175	200	175	-	-	-	215.5	198.5	191.5	152.5	103.5	-	-	-	-	-	-
J	473	687	378	594	479	208	241	196	-	-	-	234.5	217.5	210.5	171.5	122.5	109.5	-	-	-	-	-
S	637	840	494	695	541	276	313	210	-	-	-	-	241.0	234.0	195.0	146.0	133.0	122	-	-	-	-
T	694	897	525	729	556	325	332	237	-	-	-	-	-	-	234.0	185.0	172.0	160	114	144	-	-

For motor mounts to suit sizes K, L & M please consult your local Authorised Distributor