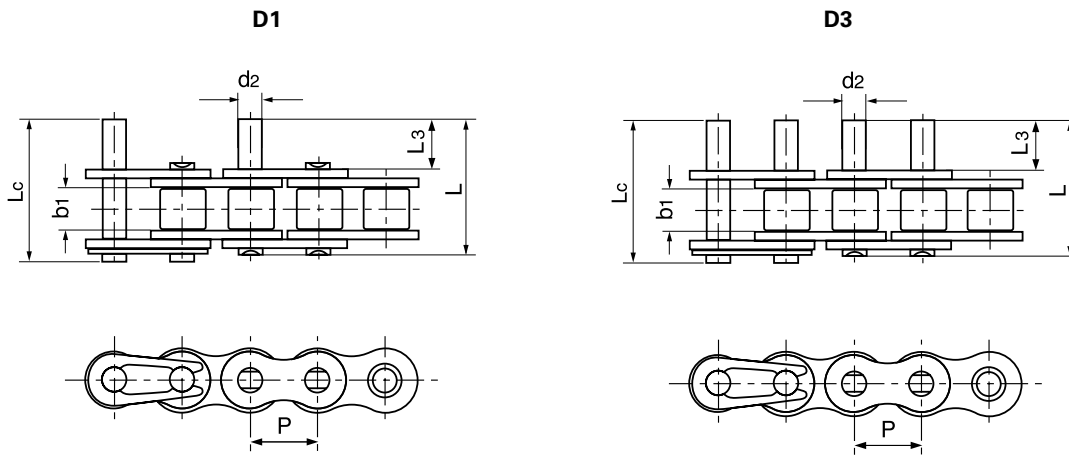


CHAINS WITH EXTENDED PINS

The following extended pins, for British and ANSI chains, conform generally with the ISO "Standard". Other manufacturers standards may differ in detail. The critical dimensions are extended length and diameter and requirements should be checked against the dimensions below. Duplex and triplex pin lengths can be supplied to order.



ISO Chain No	ANSI Chain No	Pitch	Width Between Inner Plates	Pin Diameter	Extended Length	Pin Length		
		P mm	b1 mm	d2 mm	L3 mm	L max mm	Lc max mm	
08B		12.700	7.75	4.45	9.50	25.10	26.60	
10B		15.875	9.65	5.08	11.90	30.10	31.50	
12B		19.050	11.68	5.72	14.30	35.40	37.10	
16B		25.400	17.02	8.28	19.10	53.00	54.30	
		35	9.525	4.77	3.58	9.50	20.80	21.60
		40	12.700	7.85	3.96	9.50	25.10	26.20
		50	15.875	9.40	5.08	11.90	31.30	33.10
		60	19.050	12.57	5.94	14.30	38.60	40.60
		80	25.400	15.75	7.92	19.10	50.30	53.30
		100	31.750	18.90	9.53	23.80	61.80	66.10
	120	38.100	25.22	11.10	28.60	76.40	80.40	
	140	44.450	25.22	12.70	33.30	84.80	89.40	
	160	50.800	31.55	14.27	38.10	99.60	104.40	